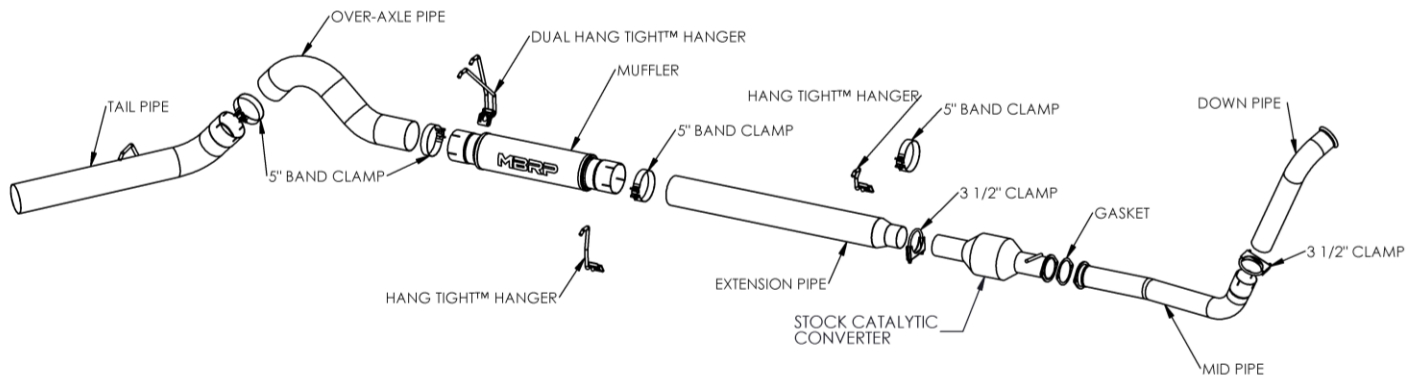


S62340P

03-07 FORD F250/F350 6.0L POWERSTROKE, TURBO BACK (STOCK CAT), 5" SINGLE SIDE

MBRP

September 30, 2020



PLEASE READ BEFORE STARTING INSTALLATION

MBRP has made every effort to ensure that all components of this system are of superior quality and properly packaged. It is the installer's responsibility to ensure that all components are present and fit together as shown. Please also ensure that all components are undamaged before removal of the factory exhaust. Finally, check that this system properly matches the make and model of the vehicle and will not interfere with previous or planned modifications.

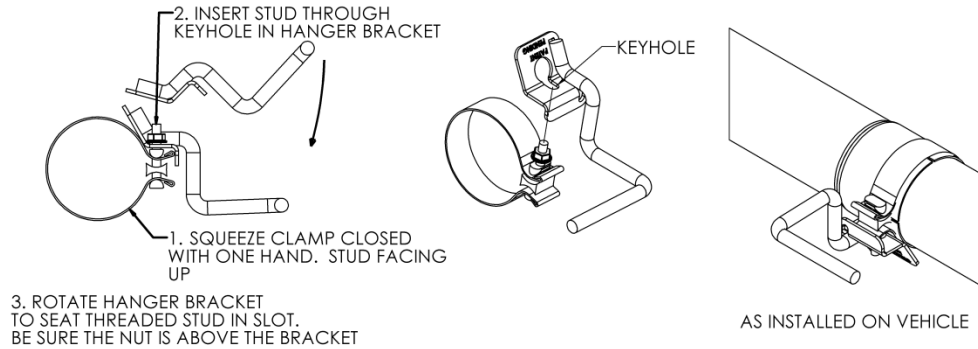
Removal of stock system:

1. Loosen the nut on clamp located behind the catalytic converter using a 15mm wrench or socket.
2. Remove the muffler and tail pipe from the OEM rubber hangers. On 03-04 trucks remove bottom shock bolt of the passenger side shock to remove the system in one piece. **This is not required on 05 and newer models.** Separate the stock exhaust at the slip joint located behind the catalytic converter and remove the muffler and tail pipe from under the truck. **Re-install the bottom shock bolt.**
3. Remove the catalytic converter by removing the two nuts holding the inlet flange together using a 15mm wrench or socket. Retain the nuts for the re-installation of the catalytic converter.
4. Using a 15mm wrench or socket, remove the catalytic converter by removing the two nuts holding the inlet flange together.
5. Remove the down pipe from the turbo by removing the clamp using an 11mm socket. Retain the clamp for the installation of the new down pipe. Cut the down pipe in front of the transmission cross member to remove. (**Note:** The stock down pipe can be removed in one piece by removing the transmission cross member. It is recommended that this only be done by qualified, trained professionals using tools and equipment designed to safely carry out this procedure.)
6. Remove the spare tire. You may not be able to reinstall your spare tire after the installation of this exhaust system.

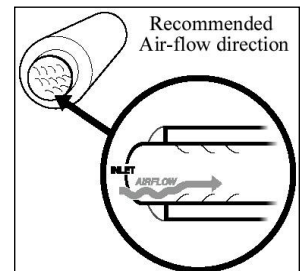
Installation of MBRP Performance Exhaust:

1. Install the **Down Pipe** in the same position as the stock down pipe and attach the flared end to the turbo using the stock band clamp. Do not fully tighten until all components are in place.
2. Attach the **Mid Pipe** to the **Down Pipe** using the **3.5" Clamp** to secure the slip joint.
3. Attach the factory catalytic converter to the **Mid Pipe** by placing the gasket supplied between the flanges and installing the two nuts that were removed previously.

4. Install the **3.5" to 5" Extension Pipe** over the OEM pipe behind the **Catalytic Converter**. The **Extension Pipe** is pre-cut to fit a crew cab long bed truck. For extended cab long bed trucks, the **Extension Pipe** needs to be cut to a length of 26.5". For crew cab short bed trucks, the **Extension Pipe** needs to be cut to a length of 24.5". For extended cab short bed trucks, the **Extension Pipe** needs to be cut to a length of 11.25".
5. Install the **Hang Tight™ Hangers** onto **5.0" Band Clamp** using the procedure shown below. (Hang Tight™ Hangers not exactly as shown).



6. Install the front single **Hang Tight™ Hanger** assembly onto the **Extension Pipe** and into the OEM rubber insulator.
7. Install the **Hanger Clamp** into the OEM rubber hanger located on the frame beside the inlet of the **Muffler**.
8. Install the **Muffler** over the **Extension Pipe** with the second single **Hang Tight™ Hanger** assembly. Check the **Muffler** orientation so that the exhaust will flow smoothly over the louvers. Refer to the illustration on the left. Install the hanger into the OEM rubber insulator.
9. Install the **Dual Hang Tight™ Hanger** assembly onto the outlet of the **Muffler** and into the two OEM rubber hangers located above the outlet.
10. Slide the **5" Band Clamp** and **Tail Pipe** onto the **Over-Axle Pipe**. Install the assembly from the rear of the truck, over the axle and attach to the **Muffler** outlet. Install the **Tail Pipe** hanger into the OEM hanger, then adjust for best axle clearance and **Tail Pipe** exit location to complete.
11. If a tip has been purchased, install, and adjust to suit. Tighten lock bolt located on the **Tip**. **A Tip is not included with this kit**. Tips may be purchased separately, check with your dealer.
12. Tighten all hardware and clamps, starting at the front and working rearward to secure the system. Check along the full length of the exhaust system to ensure there is adequate clearance for fuel lines, vent lines, brake lines, frame, bodywork, suspension, and any wiring, etc. If there is any interference detected, relocate, or adjust to provide adequate clearance. Ensure all clamp connections are secure and components are unable to rotate or slide. Band clamps require approximately 45 lb-ft (60 N-m) of torque. Verify clearances, system security and band clamp torque after 30-60 miles (50-100 km) of driving.



Congratulations! You are ready to begin enjoying the improved performance and driving experience of your **MBRP** performance exhaust system. We hope you enjoy your purchase.